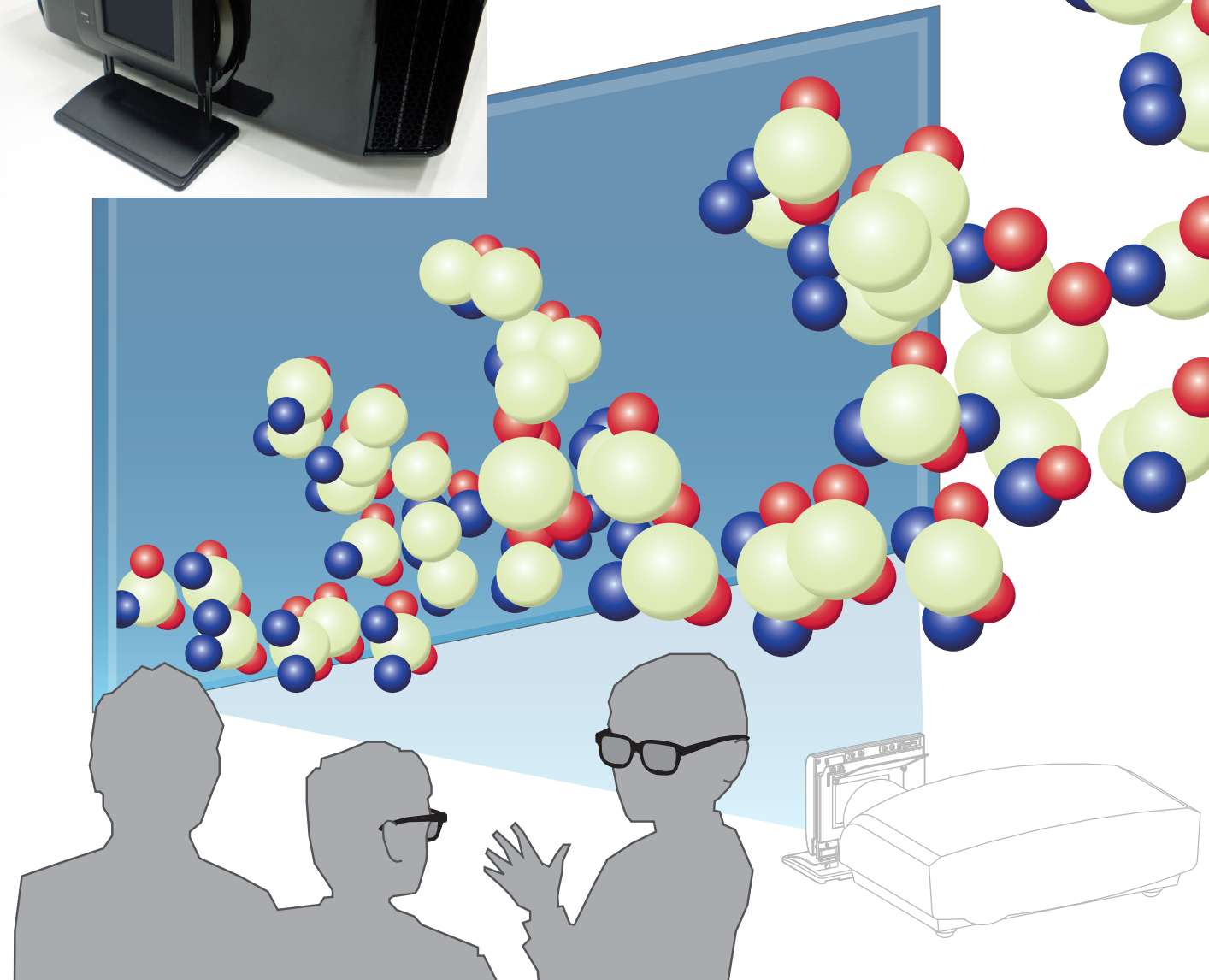


Mini-ZScreen

MZS-LC13A / MZS-DL13A

3D SHUTTER



This product is an external device to be used for viewing stereoscopic images with passive glasses (circular polarization eyewear) equipped with a high-contrast and high-speed response circular polarized liquid-crystal shutter.

The device is installed in front of the projection lens of the projector, and converts right and left 3D image from the projector to individually different polarized states by synchronizing the images with the periodic image signals from the projector.

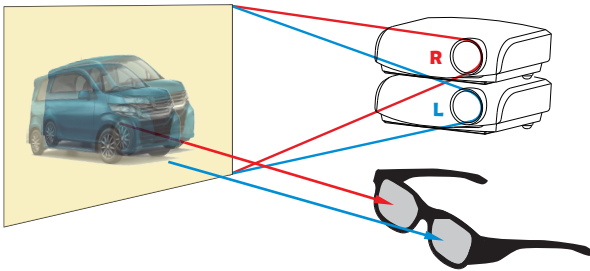
High quality and cinema quality 3D images can be viewed with RealD certified polarized glasses and a silver screen.

Easy to install and user friendly

- 3D images can be viewed with one projector.
- Only one included dedicated cable is required for connection with a projector and power supply.

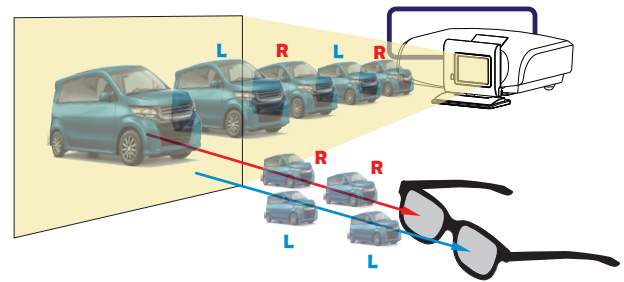
In the case of conventional two-unit type

Time and effort are required for installation positioning and fine adjustment since images from two projectors are superimposed.



In the case of this equipment

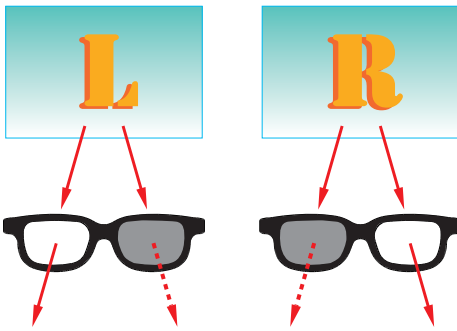
One projector is sufficient. Only easy positioning is required for installation.



High quality 3D images

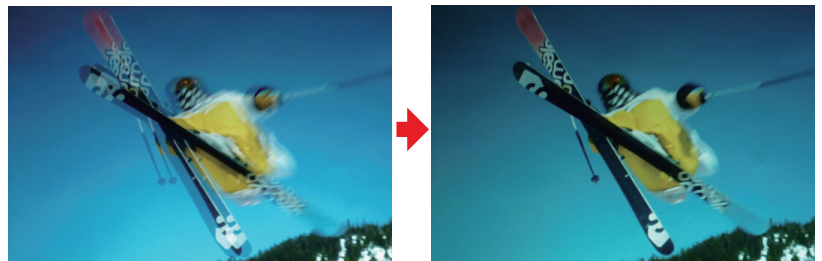
- By adopting an optical device compatible with RealD cinema system, high-speed response and high 3D contrast are realized.

Left eye image Right eye image



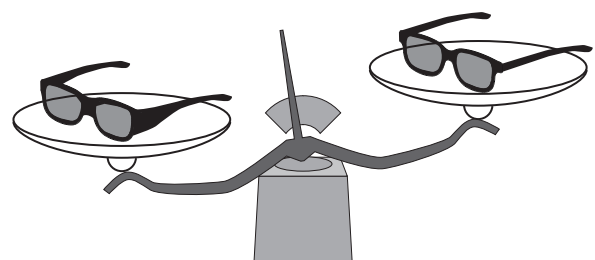
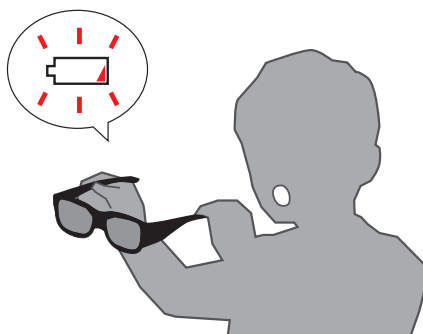
Less image protrusion from the opposite side

Achieves sharply defined images never mixing left and right eye images.



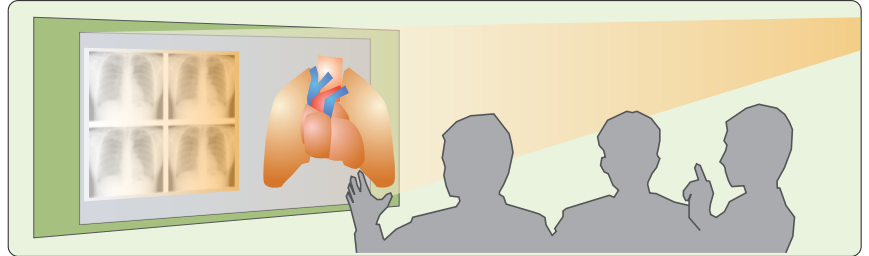
Passive type 3D glasses

- Never worry about batteries running out when viewing 3D images. Also, lightweight and less likely to make you tired.



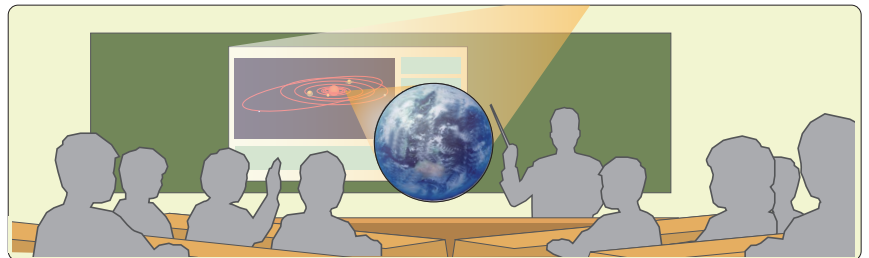
Medical related

- Simulations with 3D imagery.



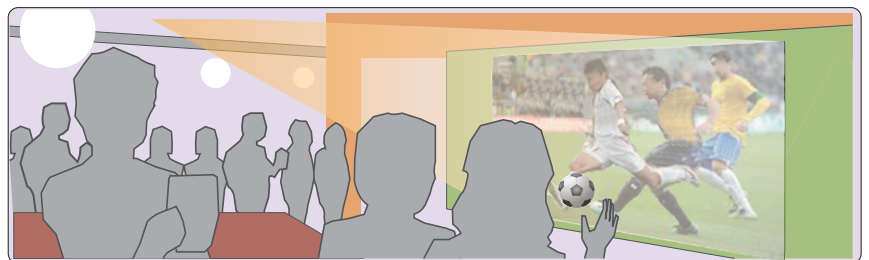
Education related

- More practical approach to learning with 3D imagery.

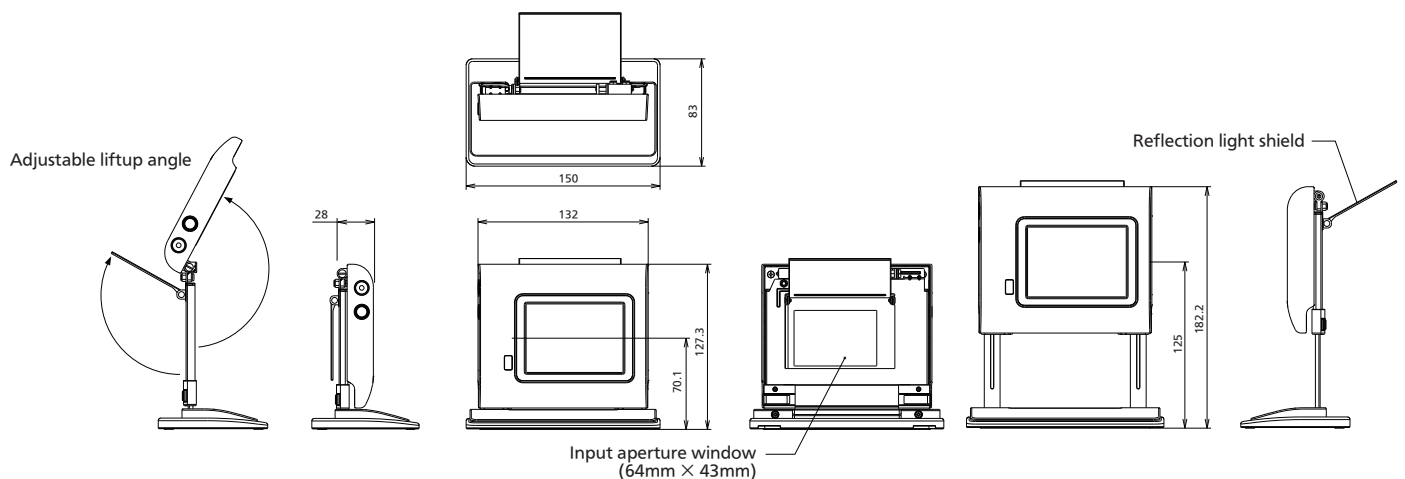


Entertainment related

- 3D images can be viewed with a large audience in mind.



Specifications



Specifications

MZS-LC13A / MZS-DL13A

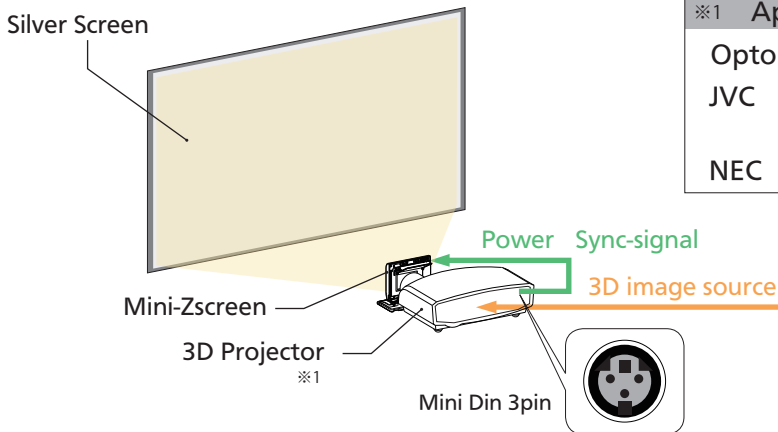
Mechanism	External dimensions (width × height × depth)	150mm × 182mm × 83mm
	Weight	550g
	Height adjustment (height from center of opening)	70.1mm - 125mm
Optics	Contrast w/o screen	> 250:1
	View angle	V/H ±30° (contrast > 50:1)
	Response speed	< 300usec
	Clear aperture	64mm × 43mm
Electrical	Synchronization signal / Frequency	35Hz - 150Hz
	Input voltage	4.5V - 13.2V
	Power consumption	15mA (5V DC input)
	Synchronization method	VESA DIN-3pin

} Supplied by projector output terminal

Operating conditions	Ambient operating temperature	5°C - 35°C
	Lifetime against illumination	4000lm 10000hr - (Combination with projector with 4,000lm or less)

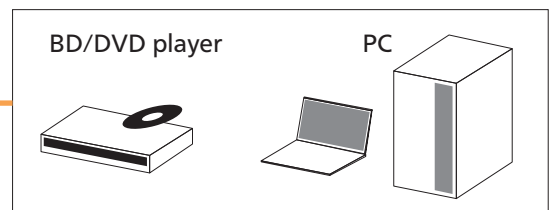
System Configuration

System 1 (recommended)

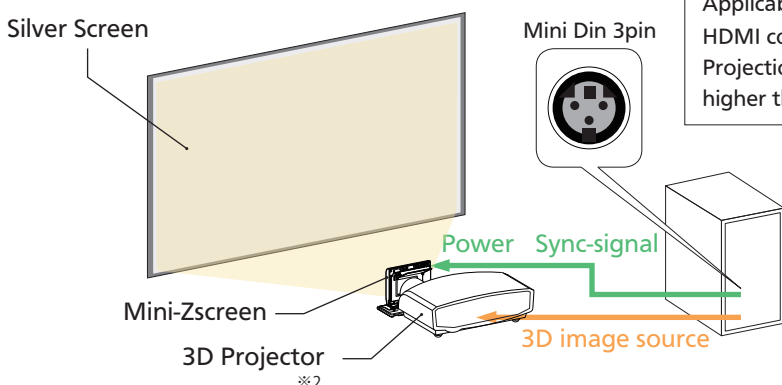


※1 Applicable Model

Optoma : HD25-LV/W401
 JVC : DLA-X700R/X500R
 DLA-X95R/X75R/X70R/X55R/X35/X30
 NEC : NP-M402WJD/M362WJD/M402XJD



System2



※2 Applicable Model

Applicable Model : 3D Ready DLP projector
 HDMI connector shall be mounted on projector.
 Projection image shall be inside of clear aperture and throw ratio higher than 1.3 is recommended to secure good 3D picture.

PC
 Graphic board: NVIDIA/Quadro
 ※3

※3 MiniDIN 3pin shall be mounted on graphic board.
 And also HDMI or DVI connector shall be mounted on graphic board.